

**STIHL**

# STIHL FCS-KM

Instruction Manual





## Contents

KombiSystem	2
Guide to Using this Manual	2
Safety Precautions and Working Techniques	2
Using the Unit	6
Approved KombiEngines	8
Assembling the Unit	9
Mounting the KombiTool	9
Mounting the Cutting Blade	10
Starting / Stopping the Engine	10
Storing the Machine	11
Replacing the Depth Wheel	11
Replacing the Skirt	12
Replacing the Cutting Blade	12
Checking and Replacing the Wear Guard	13
Maintenance and Care	13
Minimize Wear and Avoid Damage	14
Main Parts	15
Specifications	16
Maintenance and Repairs	17
Disposal	17
EC Declaration of Conformity	18

Dear Customer,

Thank you for choosing a quality engineered STIHL product.

It has been built using modern production techniques and comprehensive quality assurance. Every effort has been made to ensure your satisfaction and trouble-free use of the product.

Please contact your dealer or our sales company if you have any queries concerning this product.

Your

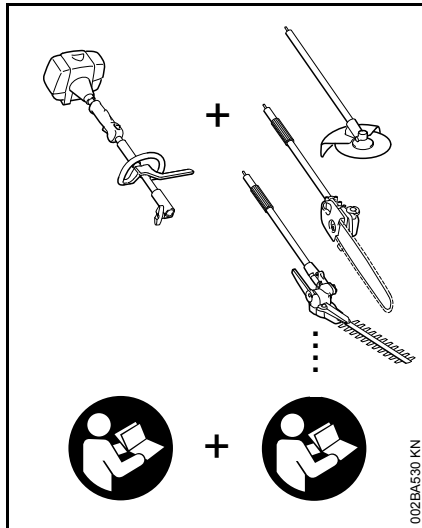


Dr. Nikolas Stihl

# STIHL

FCS-KM

## KombiSystem



In the STIHL KombiSystem a number of different KombiEngines and KombiTools can be combined to produce a power tool. In this instruction manual the functional unit formed by the KombiEngine **and** KombiTool is referred to as the power tool.

Therefore, the separate instruction manuals for the KombiEngine and KombiTool should be used together for the power tool.

Always read and and make sure you understand **both** instruction manuals before using your power tool for the first time and keep them in a safe place for future reference.

## Guide to Using this Manual

### Pictograms

All the pictograms attached to the machine are shown and explained in this manual.

### Symbols in text



#### WARNING

Warning where there is a risk of an accident or personal injury or serious damage to property.



#### NOTICE

Caution where there is a risk of damaging the machine or its individual components.

### Engineering improvements

STIHL's philosophy is to continually improve all of its products. For this reason we may modify the design, engineering and appearance of our products periodically.

Therefore, some changes, modifications and improvements may not be covered in this manual.

## Safety Precautions and Working Techniques



Special safety precautions must be observed when working with this power edger because it has a sharp cutting blade that rotates at very high speed.



Always read and and make sure you understand both instruction manuals (KombiEngine and KombiTool) before using your power tool for the first time and keep them in a safe place for future reference. Non-observance of the safety precautions may result in serious or even fatal injury.

Lend or rent your power tool only to persons who are familiar with this model and its operation – do not lend or rent your power tool without the KombiEngine and KombiTool instruction manuals.

Use the power edger only for cutting the edges of paths, flower beds and lawns.

Do not use your power tool for any other purpose because of the **increased risk of accidents**.

Only use blades and accessories that are explicitly approved for this power tool by STIHL or are technically identical. If you have any questions in this respect, consult a servicing dealer.

Use only high quality tools and accessories in order to avoid the risk of accidents and damage to the machine.

STIHL recommends the use of genuine STIHL tools and accessories. They are specifically designed to match the product and meet your performance requirements.

The deflector on this power edger cannot protect the operator from all objects thrown by the cutting blade (stones, glass, wire, etc.). Such objects may ricochet and then hit the operator.

Never attempt to modify your machine in any way since this may increase the risk of personal injury. STIHL excludes all liability for personal injury and damage to property caused while using unauthorized attachments.

Do not use a pressure washer to clean your power tool. The solid jet of water may damage parts of the power tool.

### Clothing and Equipment

Wear proper protective clothing and equipment.



Clothing must be sturdy but allow complete freedom of movement. Wear snug-fitting clothing, an overall and jacket combination, do not wear a work coat.

Avoid clothing that could get caught on branches or brush or moving parts of the machine. Do not wear a scarf, necktie or jewelry. Tie up and confine long hair (e.g. with a hair net, cap, hard hat, etc.).



Wear steel-toed safety boots with non-slip soles.



### WARNING



To reduce the risk of eye injuries, wear close-fitting safety glasses in accordance with European Standard EN 166. Make sure the safety glasses are a snug fit.

Wear hearing protection, e.g. earplugs or ear muffs.

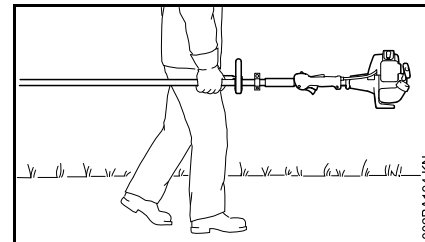
Wear a face shield and make sure it is a good fit. A face shield alone does not provide adequate eye protection.



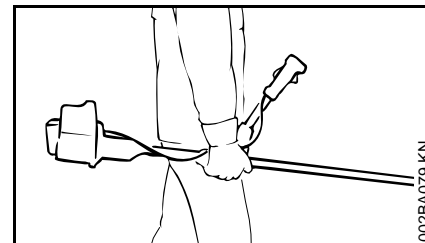
Wear heavy-duty work gloves made of durable material (e.g. leather).

STIHL offers a comprehensive range of personal protective clothing and equipment.

### Transporting the Power Tool



002BA194 KN



002BA079 KN

Always shut off the engine.

Carry the power tool properly balanced by the drive tube – cutting blade in front of you.

Do not touch hot parts of the machine since **burn injury** will result.

Transporting by vehicle: Properly secure your power tool to prevent turnover, fuel spillage and damage.

## Before Starting

Check that your power tool is properly assembled and in good condition – refer to appropriate chapters in the KombiEngine and KombiTool instruction manuals.

- Blade correctly and securely mounted and in good condition (clean, move freely, not warped).
- Inspect the deflectors for damage and wear. Do not operate the machine with a damaged deflector – replace damaged parts.
- Never attempt to modify the controls or safety devices – work only with a properly mounted deflector.
- Keep the handles dry and clean – free from oil and dirt – for safe control of the power tool.
- Adjust the harness and handle(s) to suit your height and reach.

**To reduce the risk of accidents**, do not operate your power tool if it is damaged or not properly assembled.

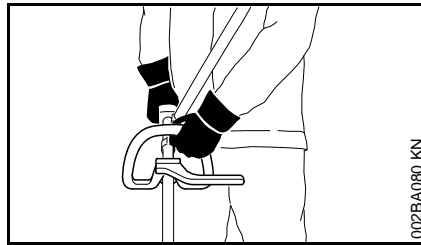
If you use a shoulder strap or full harness: Practice removing and putting down the machine as you would in an emergency. To avoid damage, do not throw the power tool to the ground when practicing.

## Holding and Controlling the Power Tool

Make sure you always have good balance and secure footing.

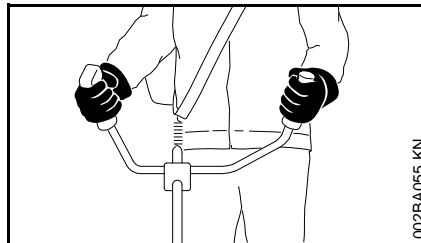
Always hold the power tool firmly with both hands on the handles.

## Models with loop handle



On models with a loop handle and barrier bar, left hand on loop handle, right hand on control handle, even if you are left-handed.

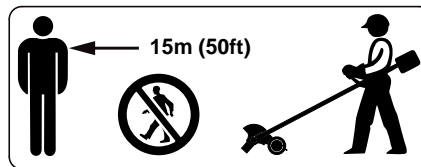
## Models with bike handle



Right handle on control handle, left hand on left handle.

## During Operation

In the event of impending danger or in an emergency, switch off the engine immediately by moving the slide control / stop switch/button to 0 or STOP.

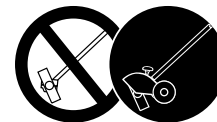


The cutting attachment may catch and fling objects a great distance and cause injury - therefore, do not allow any other persons within a radius of 15 meters of your own position. **To reduce the risk of damage to property**, also maintain this distance from other objects (vehicles, windows). Even maintaining a distance of 15 meters or more cannot exclude the potential danger.



**To reduce the risk of injury**, avoid contact with the blade.

The correct engine idle speed is important to ensure that the blade stops moving when you let go of the throttle trigger. Check and correct the idle speed setting regularly. If the cutting attachment still rotates when the engine is idling, have your dealer check your machine and make proper adjustments or repairs – see KombiEngine instruction manual.



**To reduce the risk of injury** from thrown objects, never operate the power tool without the proper deflector for the type of cutting attachment being used.



The gearbox becomes hot during operation. **To reduce the risk of burn injury**, do not touch the gearbox housing.

**Take special care in slippery conditions** (ice, wet ground, snow), on slopes or uneven ground.

Watch out for obstacles: Roots and tree stumps which **could cause you to trip or stumble**.



Inspect the work area: Stones, pieces of metal or other solid objects may be thrown more than 15 meters and **cause personal injury** or damage the cutting attachment and property (e.g. parked vehicles, windows).



**To avoid the risk of electric shock**, never use your power tool in areas where electrical lines are laid on the surface or buried just below the surface. Striking and damaging such lines with the KombiTool **could cause serious or even fatal injury**.

Make sure you always have good balance and secure footing.

Special care must be taken when working in difficult, over-grown terrain.

Be particularly alert and cautious when wearing hearing protection because your ability to hear warnings (shouts, alarms, etc.) is restricted.

**To reduce the risk of accidents**, take a break in good time to avoid tiredness or exhaustion.

Work calmly and carefully – in daylight conditions and only when visibility is good. Stay alert so as not to endanger others.

Do not touch the cutting blade while the engine is running. If the blade becomes jammed by an obstruction, switch off the engine immediately before attempting to remove the obstruction – **risk of injury**.

Opening the throttle while the blade is blocked increases the load and reduces engine speed. The clutch then slips continuously and this causes overheating and damage to important components (e.g. clutch, polymer housing components) – and **this can increase the risk of injury** from the cutting attachment moving while the engine is idling.

If your power tool is subjected to unusually high loads for which it was not designed (e.g. heavy impact or a fall), always check that it is in good condition before continuing work – see also "Before Starting". Make sure the safety devices are working properly. Do not continue operating your power tool if it is damaged. In case of doubt, consult your servicing dealer.

Check the cutting blade at regular short intervals during operation or immediately if there is a noticeable change in cutting behavior:

- Turn off the engine. Hold the unit firmly and press the blade into the ground to bring it to a standstill.
- Check condition and tightness, look for cracks.
- Replace a damaged blade immediately, even if it has only superficial cracks.

Clean the cutting attachment and deflector at regular intervals during operation.

- Shut off the engine.
- Wear gloves.
- Remove grass, weeds, clumps of soil, etc.

**To reduce the risk of injury**, shut off the engine before changing the cutting attachment.

Do not continue using or attempt to repair a damaged or cracked blade by welding or straightening – risk of out of balance.

This may cause parts of the cutting attachment to come off and hit the operator or bystanders at high speed and **result in serious or fatal injuries**.

If a rotating metal cutting attachment makes contact with a rock or other solid object there is a risk of sparking which may cause easily combustible material to catch fire under certain circumstances. Dry plants and scrub are also easily combustible, especially in hot and dry weather conditions. If there is a risk of fire, do not use metal cutting attachments near combustible materials, dry plants or scrub. Always contact your local forest authority for information on a possible fire risk.

### **After Finishing Work**

After finishing work or before leaving the unit unattended: Shut off the engine.

After finishing work, clean dirt, soil and plant residue off the cutting attachment – **wear gloves to reduce the risk of injury**.

Do not use grease solvents for cleaning.

After thoroughly cleaning, coat surface of metal cutting attachments with a corrosion inhibitor.

## Maintenance and Repairs

Service the machine regularly. Do not attempt any maintenance or repair work not described in the KombiTool and KombiEngine instruction manuals. Have all other work performed by a servicing dealer.

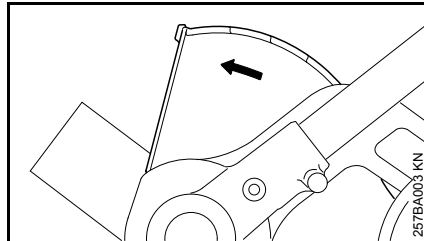
STIHL recommends that you have servicing and repair work carried out exclusively by an authorized STIHL servicing dealer. STIHL dealers are regularly given the opportunity to attend training courses and are supplied with the necessary technical information.

Only use high-quality replacement parts in order to avoid the risk of accidents and damage to the machine. If you have any questions in this respect, consult a servicing dealer.

STIHL recommends the use of genuine STIHL replacement parts. They are specifically designed to match your model and meet your performance requirements.

To reduce the risk of injury, **always shut off the engine** before carrying out any maintenance or repairs or cleaning the machine.

## Cutting Attachments and Deflectors



The arrow on the deflector shows the direction of rotation of the blade – see "Using the Unit".

Operate the edger only with the skirt properly mounted on the deflector – see "Replacing the Skirt".

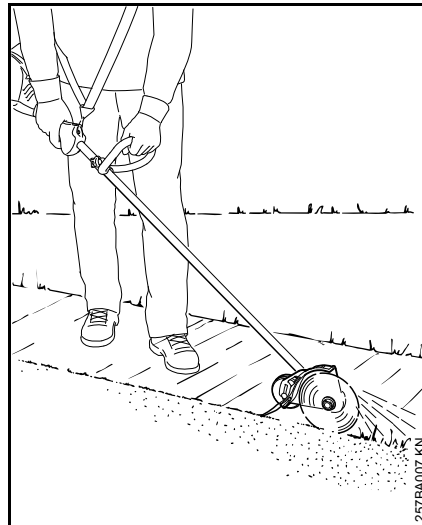
Handle the blade with care – see "Using the Unit".

Best cutting results: At full throttle working at a steady pace.

STIHL recommends you use only original STIHL cutting blades – see "Special Accessories".

Only use deflectors or accessories that are explicitly approved for this power tool by STIHL or are technically identical.

## Using the Unit



Your power edger is designed to produce sharp contoured borders around lawns and flower beds. It will cut almost all types of grass, weeds and soft green plants.

## Preparations

If the work area is very dry, spray it lightly with water: this softens the soil and ensures that less dust is created. Slightly damp green plants are easier to cut.

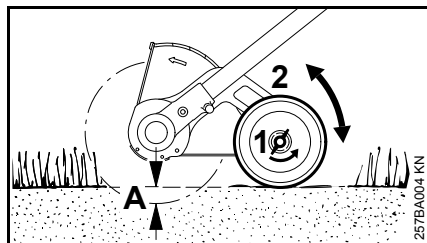
### **WARNING**

Clear away all obstacles and solid objects from the work area.



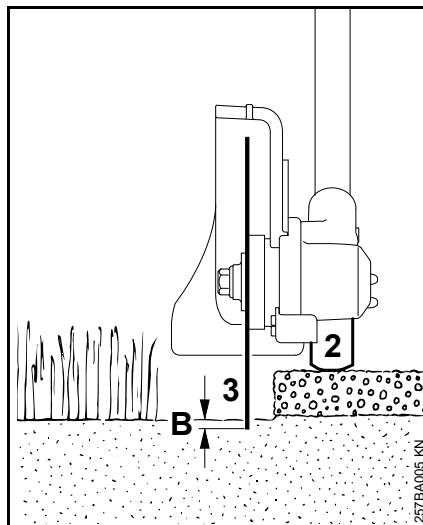
- Plan the best route for edging.  
Always hold and operate your edger on the right-hand side of your body.

### Adjusting Depth of Cut



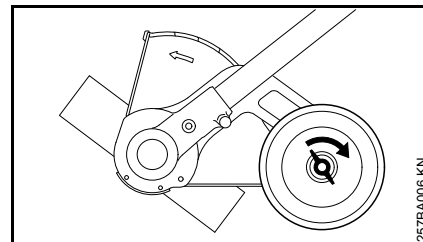
- To reduce the risk of injury, shut off the engine.
- Loosen the wingnut (1) counterclockwise.
- Push wheel (2) upwards to increase the depth of cut (A) or downwards to reduce the depth of cut (A).

### Adjust correctly

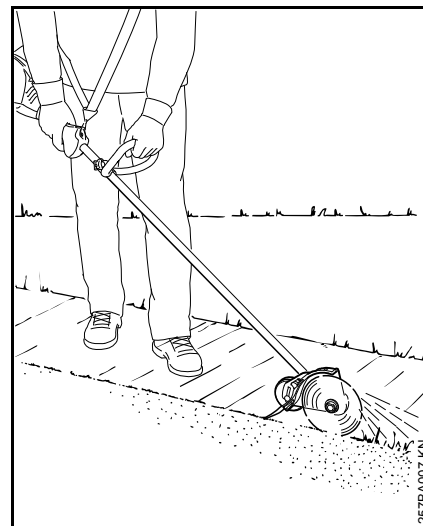


The depth of cut depends on the unevenness of the ground, your height and the way you hold the edger. Use the following procedure:

- Adjust the depth wheel (2) so that the blade (3) just touches the ground or breaks the surface of the soil by no more than 5 mm (0.2 in).



- Tighten down the wingnut clockwise.
- Standing in the normal working position, check the depth of cut again and correct it if necessary.



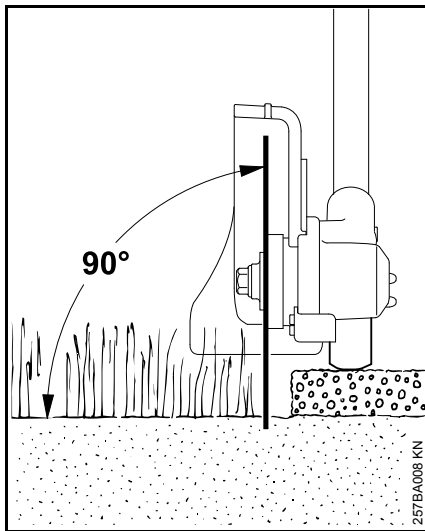
### WARNING

Do not adjust the deflector.

The deflector has been set at the factory so that the arrow on the deflector and the open side point away from the

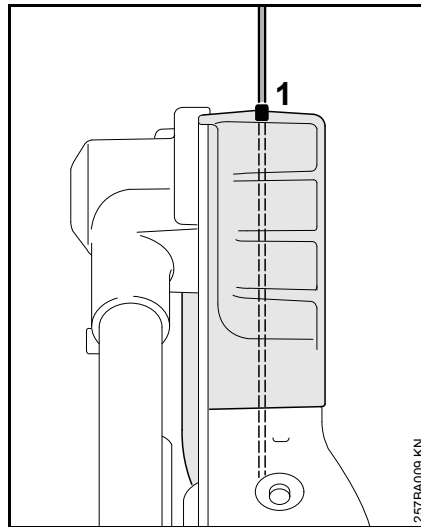
operator. This ensures that cuttings and other debris are directed away from the power tool and operator.

## Edging



- Start the engine.
- Start the cut at no less than half throttle and continue cutting at full throttle.
- Hold and guide your power tool so that the blade is vertical.
- Cut steadily so that the engine is not lugged down – do not apply force.
- Operate at no more than a normal walking pace.
- Do not push the blade into the ground.

- Always walk forwards when cutting, do not pull the unit towards you.
- Cut at a steady pace to avoid having to make several passes.



- Use the gunning sight (1) to line the blade up with the edge of the bed.

## Approved KombiEngines

### KombiEngines

Only use KombiEngines supplied by STIHL or explicitly approved by STIHL for use with the KombiTool.

This KombiTool may be operated only in combination with the following KombiEngines:

STIHL KM 55 R, KM 56 R, KM 85 R, KM 90, KM 90 R, KM 94 R, KM 100, KM 100 R, KM 110, KM 110 R, KM 130, KM 130 R, KMA 130 R

### WARNING

Loop-handled power tools must be equipped with a barrier bar.

### Brushcutters with split drive tube

This KombiTool may also be mounted to STIHL brushcutters (basic power tools) with a split drive tube (T models).

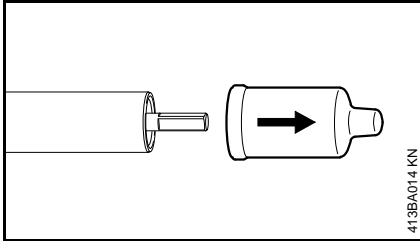
Operation of this KombiTool is therefore also permitted on the following power tool model:

STIHL FR 130 T

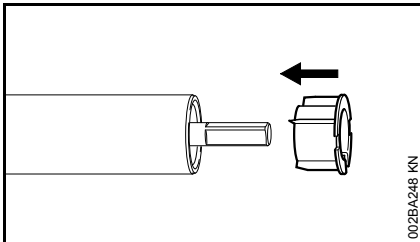
### WARNING

Refer to the power tool's instruction manual for use of the barrier bar.

## Assembling the Unit



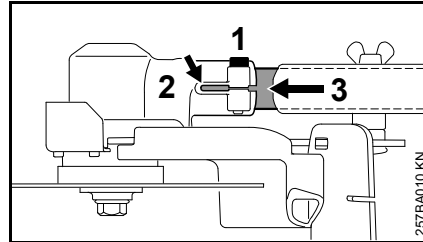
- Pull the protective caps off the ends of the drive tube and keep them in a safe place for later use – see "Storing the Machine".



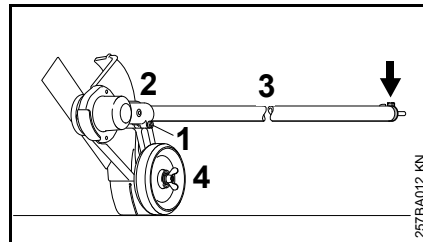
### NOTICE

The plug may come out of the drive tube when you pull off the cap. Push it back into the drive tube as far as stop.

## Mounting the Gearbox

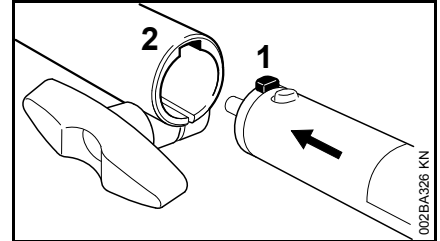


- Loosen the clamp screw (1) on the gearbox (2).
- Push the drive tube (3) through the clamp and into the gearbox – turn the gearbox back and forth as necessary.
- Once the end of the drive tube is inserted beyond the slot (see arrow) in the clamp (5), push it full home as far as stop.
- Tighten down the clamp screw moderately.

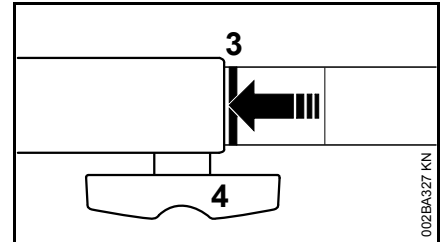


- Line up the gearbox (2) on the drive tube (3) so that the lug (arrow) points vertically upwards when the depth wheel (4) is vertical.
- Tighten down the clamp screws (1) firmly.

## Mounting the KombiTool



- Push the lug (1) on the drive tube into the slot (2) in the coupling sleeve as far as stop.



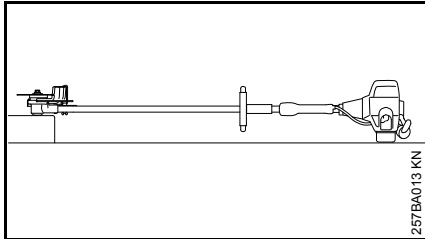
When correctly installed, the red line (3) (arrow point) must be flush with the end of the coupling sleeve.

- Tighten down the star knob (4) firmly.

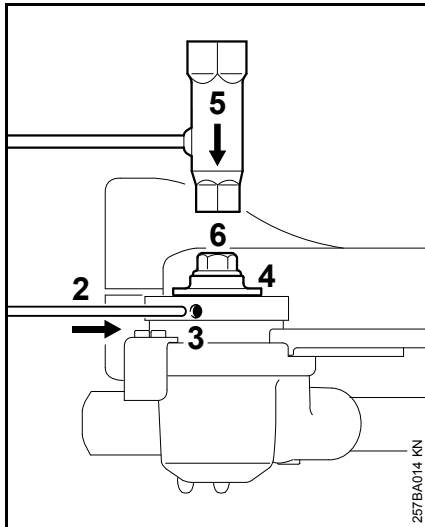
## Removing the KombiTool

- Reverse the above sequence to remove the drive tube.

## Mounting the Cutting Blade



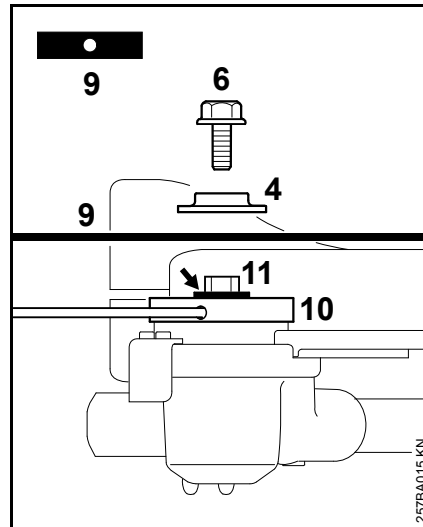
- Lay the power edger on its back so that the blade mounting (1) faces up.



- Insert the stop pin (2) into the hole (3) as far as stop – apply slight pressure and turn back and forth

together with the thrust plate (4) until the pin slips into position and blocks the shaft.

- Fit the combination wrench (5) on the screw (6).
- Loosen the screw clockwise (left-hand thread) and take it out.



- Remove the thrust washer (4).
- Position the blade (9) on the thrust plate (10).

### **!** WARNING

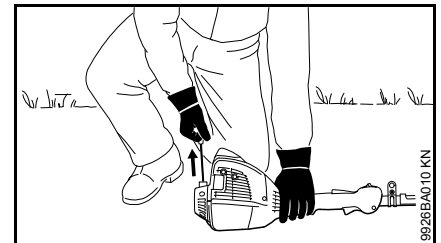
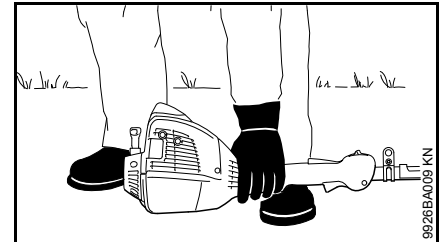
Collar (see arrow) must engage the blade's mounting hole.

- Fit the thrust washer on the shaft (11) and block the shaft.
- Fit the screw (6) in the shaft counterclockwise and tighten it down firmly.

## Starting / Stopping the Engine

### Starting the engine

To start the engine, basically follow the instructions for use for the KombiEngine or basic power tool!



- Place the machine on the ground in a secure position

The blade must not touch the ground or any other objects – **risk of accident!**

- Assume a firm stance – possibilities: standing, bending or kneeling
- Press the machine **firmly** against the ground with the left hand – do not touch the control elements on the control handle while doing so – see instruction manual for the KombiEngine or basic power tool

**NOTICE**

Do not stand or kneel on the shaft!

**WARNING**

If the engine is started, the blade may rotate as soon as the engine is running – therefore blip the throttle trigger as soon as the engine is running – the engine begins to idle.

The other starting procedure is described in the instruction manual for the KombiEngine or basic power tool.

### Switching off the engine

- see instruction manual for the KombiEngine or basic power tool

## Storing the Machine

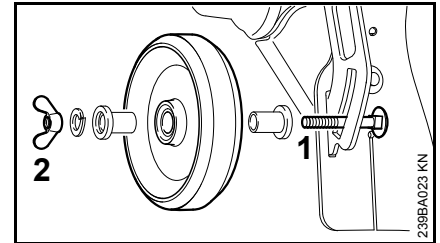
For periods of 3 months or longer

- Remove, clean and inspect the cutting blade.
- If the KombiTool is removed from the KombiEngine and stored separately: Fit the protective cap on the drive tube to avoid dirt getting into the coupling.
- Store the machine in a dry, high or locked location – out of the reach of children and other unauthorized persons.

## Replacing the Depth Wheel

Have the worn wheel replaced by a specialist dealer. STIHL recommends that maintenance and repair work be carried out only by authorized STIHL dealers.

### Wheel

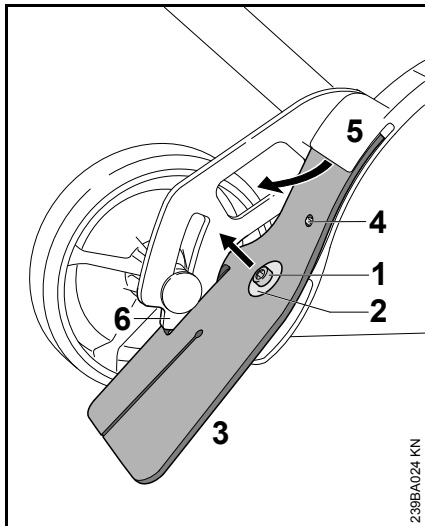


- End of screw thread (1) is deformed so that the wingnut (2) cannot be lost

The wingnut can only be unscrewed from the screw with **lots of force**. If the parts are joined again after this, the function of the "filler cap retainer" is no longer assured. In this case, have the screw and wingnut replaced with new ones by a specialist dealer.

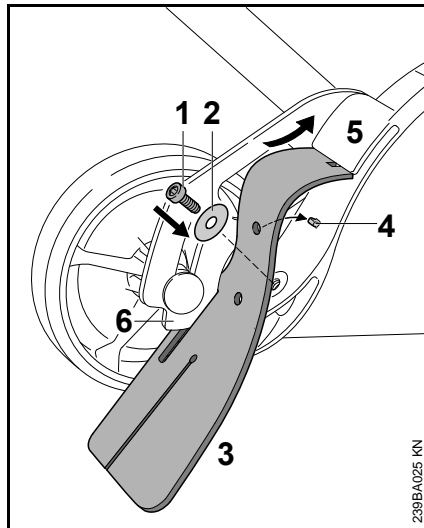
## Replacing the Skirt

### Removing the skirt



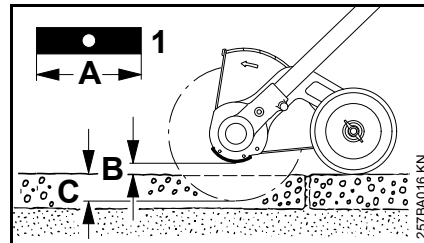
- Undo and remove the screw (1).
- Remove the washer (2)
- Pull the skirt (3) out of the segment (6) and out of the gap (5) in the deflector

### Fitting the skirt



- In order to push the skirt easily into the gap on the deflector, apply a thin coating of resin-free oil to the top of the skirt
- Thread the skirt (3) into the segment (6) and push into the gap (5) of the deflector – the bore in the skirt must be fixed in the arbor (4)
- Place washer (2) onto screw (1).
- Insert and tighten the screw (1)

## Replacing the Cutting Blade



Do not attempt to straighten or weld a bent or cracked blade – **it may break** – it must be replaced – see "Mounting the Cutting Blade".

STIHL recommends you use only the following original STIHL cutting blades:

Length	Thick-ness	Marking
200 mm	2.4 mm	4133 / 01
200 mm	3.8 mm	4133 / 02

Do not sharpen the blade.

- Replace the blade (1) if its length (A) is no longer sufficient to maintain the necessary ground clearance (B) and obtain the required depth of cut (C).

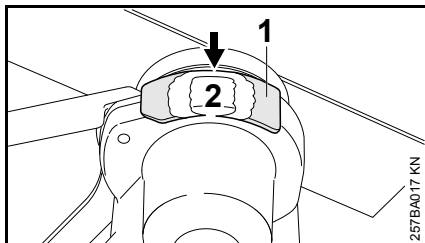
### Checking Out-of-Balance

To avoid out-of-balance:

- Have your dealer check the blade for out-of-balance on a STIHL balancer (special accessory) – STIHL recommends an authorized STIHL servicing dealer. If blade is out-of-balance, fit a new one – see "Mounting the Cutting Blade".

## Checking and Replacing the Wear Guard

### Checking the Wear Guard



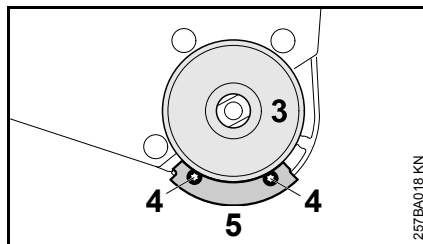
- Check the wear guard (1) for damage before starting the power tool.
- The wear guard must be replaced as soon as the gearbox (2) (arrow) becomes visible.



#### NOTICE

The gearbox may be seriously damaged if you do not replace the wear guard in good time.

### Replacing the Wear Guard



- Remove the cutting blade - see "Mounting the Cutting Blade".
- Remove the thrust plate (3).
- Take out the screws (4).
- Fit the new wear guard (5).
- Insert the screws (4) and tighten them down firmly.
- Fit the thrust plate (3).
- Mount the cutting blade - see "Mounting the Cutting Blade".

## Maintenance and Care

The following intervals apply to normal operating conditions only. If your daily working time is longer or operating conditions are difficult (very dusty work area, etc.), shorten the specified intervals accordingly.

### Accessible screws and nuts (not wingnut for depth wheel)

- Check and retighten if necessary

### Depth wheel

- Visual inspection before starting work
- Check tightness of wingnut before starting work
- Have replaced if necessary – see "Replacing Wheels"

### Skirt

- Visual inspection before starting work
- Replace if damaged – see "Replacing the Skirt"

### Blade

- Visual inspection before starting work
- Check tightness before starting work
- Have checked for out-of-balance if necessary, replace if out-of-balance – see "Replacing the Cutting Blade"
- Replace if damaged – see "Replacing the Cutting Blade"

### **Wear guard**

- Check before starting work
- Replace if necessary – see "Checking and Replacing the Wear Guard"

### **Safety labels**

- Replace illegible safety labels

## **Minimize Wear and Avoid Damage**

Observing the instructions in this manual and the KombiEngine manual helps reduce the risk of unnecessary wear and damage to the power tool.

The power tool must be operated, maintained and stored with the due care and attention described in these instruction manuals.

The user is responsible for all damage caused by non-observance of the safety precautions, operating and maintenance instructions. This includes in particular:

- Alterations or modifications to the product not approved by STIHL.
- Using tools or accessories which are neither approved or suitable for the product or are of a poor quality.
- Using the product for purposes for which it was not designed.
- Using the product for sports or competitive events.
- Consequential damage caused by continuing to use the product with defective components.

### **Maintenance Work**

All the operations described in the chapter on "Maintenance and Care" must be performed on a regular basis. If these maintenance operations cannot be performed by the owner, they should be performed by a servicing dealer.

STIHL recommends that you have servicing and repair work carried out exclusively by an authorized STIHL

servicing dealer. STIHL dealers are regularly given the opportunity to attend training courses and are supplied with the necessary technical information.

If these maintenance operations are not carried out as specified, the user assumes responsibility for any damage that may occur. Among other parts, this includes:

- Corrosion and other consequential damage resulting from improper storage.
- Damage to the product resulting from the use of poor quality replacement parts.

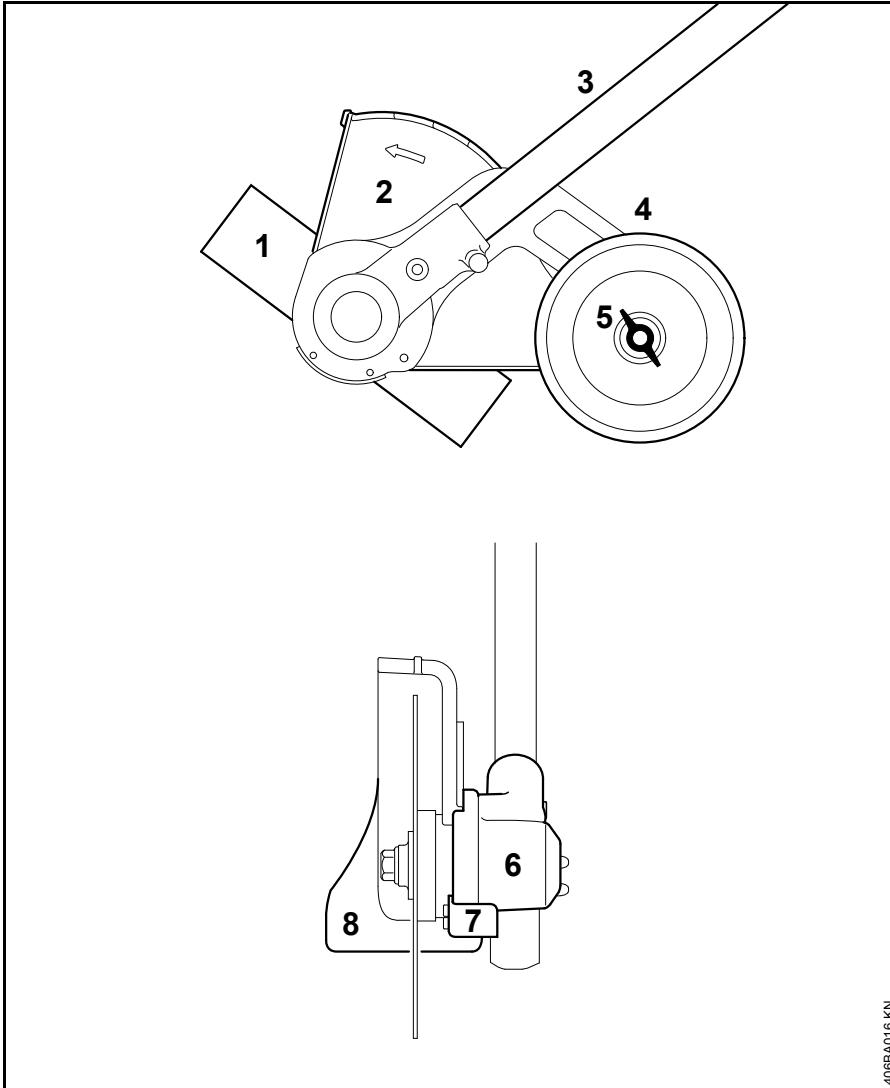
### **Parts Subject to Wear and Tear**

Some parts of the power tool are subject to normal wear and tear even during regular operation in accordance with instructions and, depending on the type and duration of use, have to be replaced in good time. Among other parts, this includes:

- Blades (all types)
- Mounting hardware for blade
- Deflector, skirt
- Wear guards



## Main Parts



- 1 Blade
- 2 Deflector
- 3 Drive tube
- 4 Depth wheel
- 5 Wingnut
- 6 Gearbox
- 7 Wear guard
- 8 Skirt

408BA016 KN

## Specifications

### Engine speed

Max. output shaft speed at cutting attachment with KombiEngine:

KM 55 R:	4,550 rpm
KM 56 R:	4,800 rpm
KM 85 R:	5,050 rpm
KM 90 R:	4,900 rpm
KM 94 R:	4,900 rpm
KM 100 R:	4,900 rpm
KM 110 R:	4,900 rpm
KM 130 R:	4,900 rpm
KMA 130 R:	4,070 rpm

Max. output shaft speed at cutting attachment on STIHL brushcutters with split drive tube (T models):

FR 130 T:	4,900 rpm
-----------	-----------

### Weight

with deflector and blade: 2.4 kg

### Noise and Vibration Data

Noise and vibration data measurements on power tools with the FCS-KM KombiTool include idling and rated maximum speed with the same duration of exposure.

For further details on compliance with Vibration Directive 2002/44/EC see [www.stihl.com/vib](http://www.stihl.com/vib).

### Sound pressure level $L_p$ to ISO 11201

KM 55 R with loop handle:	93 dB(A)
KM 56 R with loop handle:	93 dB(A)
KM 85 R with loop handle:	96 dB(A)
KM 90 R with loop handle:	90 dB(A)
KM 100 R with loop handle:	90 dB(A)
KM 130 with bike handle:	95 dB(A)
KM 130 R with loop handle:	95 dB(A)
FR 130 T:	93 dB(A)

### Sound pressure level $L_{peq}$ to ISO 11789

KM 94 R with loop handle:	92 dB(A)
---------------------------	----------

### Sound pressure level $L_{peq}$ to ISO 50636-2-91

KMA 130 R with loop handle:	78 dB(A)
-----------------------------	----------

### Sound power level $L_w$ to ISO 3744

KM 55 R with loop handle:	102 dB(A)
KM 56 R with loop handle:	103 dB(A)
KM 85 R with loop handle:	107 dB(A)
KM 90 R with loop handle:	101 dB(A)
KM 100 R with loop handle:	101 dB(A)
KM 130 with bike handle:	105 dB(A)
KM 130 R with loop handle:	105 dB(A)
FR 130 T:	105 dB(A)

### Sound power level $L_{weq}$ to ISO 11789

KM 94 R with loop handle:	104 dB(A)
---------------------------	-----------

### Sound power level $L_w$ to ISO 50636-2-91

KMA 130 R with loop handle:	90 dB(A)
-----------------------------	----------

### Vibration measurement $a_{hv,eq}$ to ISO 11789

	Handle, left	Handle, right
KM 55 R with loop handle:	5.3 m/s <sup>2</sup>	6.8 m/s <sup>2</sup>
KM 56 R with loop handle:	5.0 m/s <sup>2</sup>	6.4 m/s <sup>2</sup>
KM 85 R with loop handle:	3.0 m/s <sup>2</sup>	4.9 m/s <sup>2</sup>
KM 90 R with loop handle:	3.4 m/s <sup>2</sup>	4.1 m/s <sup>2</sup>
KM 100 R with loop handle:	3.1 m/s <sup>2</sup>	4.8 m/s <sup>2</sup>
KM 130 with bike handle:	4.2 m/s <sup>2</sup>	3.5 m/s <sup>2</sup>
KM 130 R with loop handle:	6.1 m/s <sup>2</sup>	6.8 m/s <sup>2</sup>
FR 130 T:	1.3 m/s <sup>2</sup>	1.7 m/s <sup>2</sup>

### Vibration measurement $a_{hv,eq}$ to ISO 22867

	Handle, left	Handle, right
KM 94 R with loop handle:	4.2 m/s <sup>2</sup>	4.2 m/s <sup>2</sup>

### Vibration level $a_{hv,eq}$ to ISO 50636-2-91

	Handle, left	Handle, right
KMA 130 R with loop handle:	2.0 m/s <sup>2</sup>	1.5 m/s <sup>2</sup>

The K-factor in accordance with Directive 2006/42/EC is 2.0 dB(A) for the sound pressure level and sound power level; the K-factor in accordance with Directive 2006/42/EC is 2.0 m/s<sup>2</sup> for the vibration level.

## REACH

---

REACH is an EC regulation and stands for the Registration, Evaluation, Authorisation and Restriction of Chemical substances.

For information on compliance with the REACH regulation (EC) No. 1907/2006 see [www.stihl.com/reach](http://www.stihl.com/reach).


## Maintenance and Repairs

Users of this machine may only carry out the maintenance and service work described in this user manual. All other repairs must be carried out by a servicing dealer.

STIHL recommends that you have servicing and repair work carried out exclusively by an authorized STIHL servicing dealer. STIHL dealers are regularly given the opportunity to attend training courses and are supplied with the necessary technical information.

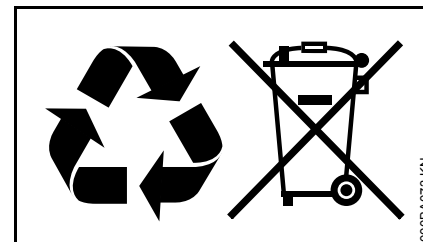
When repairing the machine, only use replacement parts which have been approved by STIHL for this power tool or are technically identical. Only use high-quality replacement parts in order to avoid the risk of accidents and damage to the machine.

STIHL recommends the use of original STIHL replacement parts.

Original STIHL parts can be identified by the STIHL part number, the **STIHL** logo and the STIHL parts symbol  (the symbol may appear alone on small parts).

## Disposal

Observe all country-specific waste disposal rules and regulations.



STIHL products must not be thrown in the garbage can. Take the product, accessories and packaging to an approved disposal site for environment-friendly recycling.

Contact your STIHL servicing dealer for the latest information on waste disposal.

## EC Declaration of Conformity



ANDREAS STIHL AG & Co. KG  
Badstr. 115  
D-71336 Waiblingen

Germany

declare in exclusive responsibility that  
the product

Category: Power edger  
KombiTool

Make: STIHL

Model: FCS-KM

Serial identification: 4180

conforms to the relevant requirements of  
the Directive 2006/42/EC and has been  
developed and manufactured in  
compliance with the following standards  
in the versions valid at the time of  
production:

-

Technical documents deposited at:

ANDREAS STIHL AG & Co. KG  
Produktzulassung (Product Licensing)

The year of manufacture is applied to  
the power tool.

Done at Waiblingen, 07.03.2018

ANDREAS STIHL AG & Co. KG

A handwritten signature in black ink, reading 'Thomas Elsner', is written in a cursive style.

Thomas Elsner

Director Product Management and  
Services







0458-472-0121-A

englisch



[www.stihl.com](http://www.stihl.com)



0458-472-0121-A